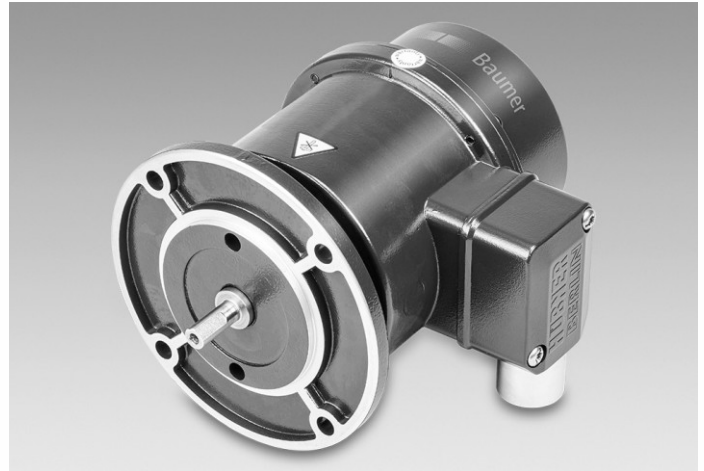


Overview

- For replacement of "PY" or "BC" style tachogenerators
- Low response time
- Open circuit voltage 20...100 mV per rpm
- Very high resistance to shock
- High signal quality due to patented LongLife technology
- Recognition of sense of rotation possible via control
- CSA / C / US approved



Technical data

Technical data - electrical ratings

Reversal tolerance	≤0,1 %
Linearity tolerance	≤0,15 %
Temperature coefficient	± 0,05 %/K (open-circuit)
Isolation class	B
Calibration tolerance	±1 %
Climatic test	Humid heat, constant (IEC 60068-2-3, Ca)
Armature-circuit time-constant	<75 μs
Interference immunity	EN 61000-6-2
Emitted interference	EN 61000-6-3
Approval	CE CSA C/US

Technical data - mechanical design

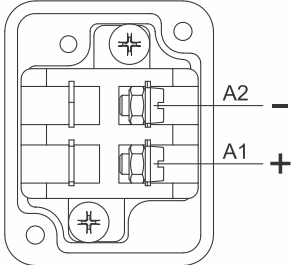
Size (flange)	4.528" DIA
Shaft type	.312" DIA / .318" DIA solid shaft

Technical data - mechanical design

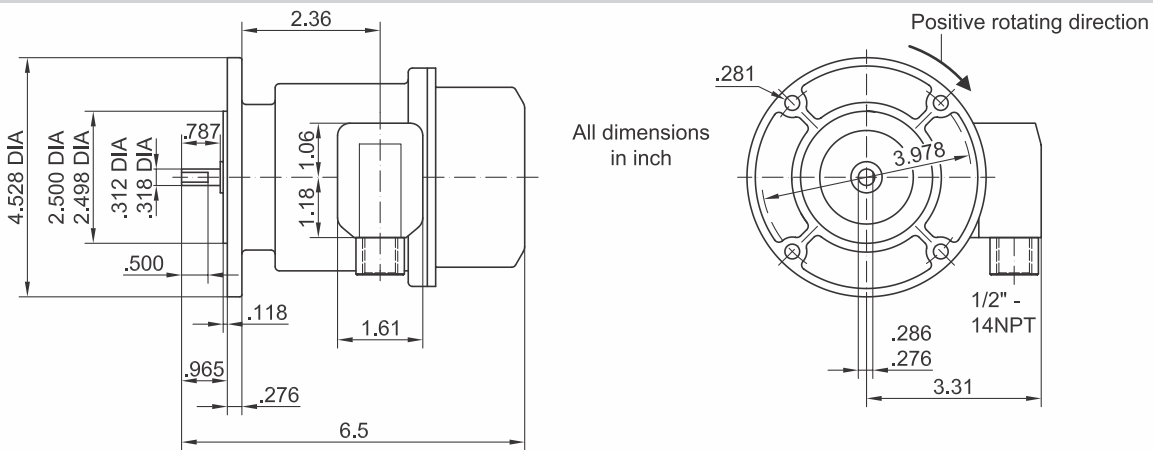
Flange	Mounting flange
Protection EN 60529	IP 55
Operating speed	≤10000 rpm
Torque	1,5 Ncm
Rotor moment of inertia	1,1 kgcm ²
Admitted shaft load	≤60 N axial ≤80 N radial
Material	Housing: aluminium die-cast Shaft: stainless steel
Operating temperature	-22...+266 °F
Resistance	IEC 60068-2-6 Vibration 10 g, 10-2000 Hz IEC 60068-2-27 Shock 300 g, 1 ms
Weight approx.	2,4 kg
Connection	Terminal box

Terminal assignment

Polarity for positive rotating direction



Dimensions



Ordering reference
Order key

#####

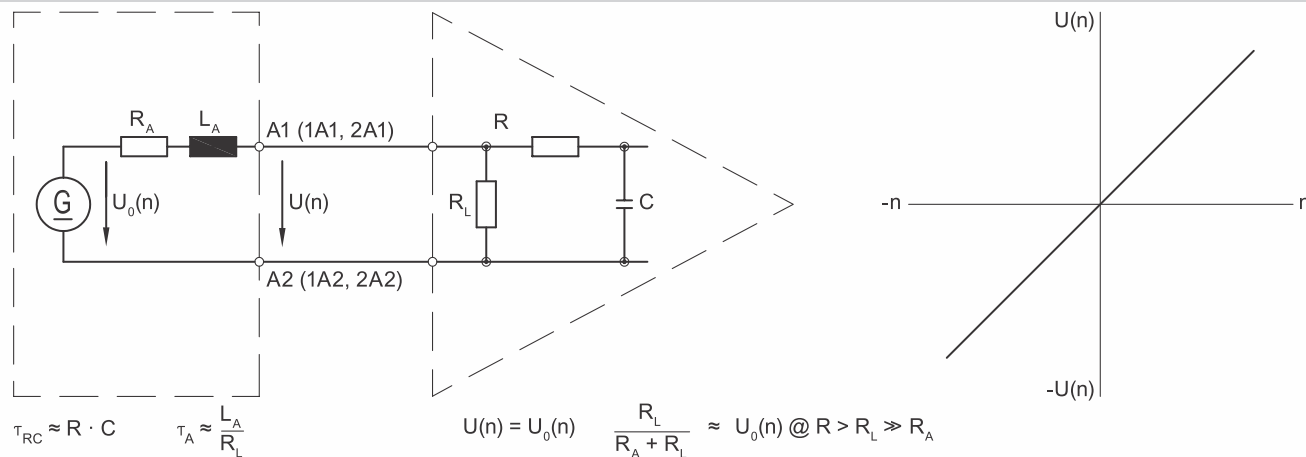
Design

APY 20 - Open-circuit voltage 20 mV per rpm	11094254
APY 50 - Open-circuit voltage 50 mV per rpm	11071028
APY 100 - Open-circuit voltage 100 mV per rpm	11070714

Data according to type

Type	Off-load voltage U_0 [mV/rpm]	Minimum load required depending on speed range [rpm]			Maximum operating speed n_{max} [rpm]	Armature resistance R_A (68°F) [Ω]	Armature inductance L_A [mH]
		0-3000 R_L [kΩ]	0-6000 R_L [kΩ]	0- n_{max} R_L [kΩ]			
APY 20	20	≥0.3	≥1.2	≥3.3	10000	11	23
APY 50	50	≥1.9	≥7.8	≥21.5	10000	66	137
APY 100	100	≥7.5	≥30	≥30	6000	271	546

Superimposed ripple (for $\tau_{RC} = 0.7$ ms): ≤0.5% (peak-peak) ≤0.2% (rms)

Replacement switching diagram

Accessories
Mounting accessories

Spring disk coupling K 35 (shaft ø6...12 mm)